

## CAUTION

Read Rules for Safe Operation and Instructions Carefully.

## WARNING

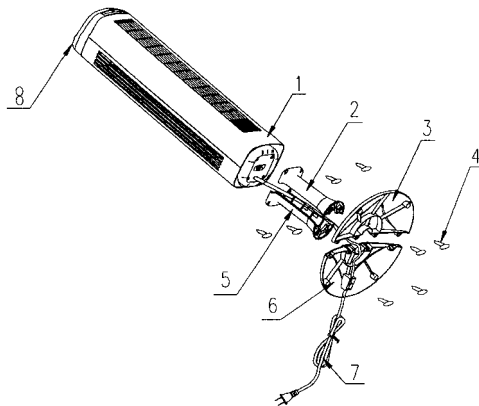
1. To reduce the risk of fire or electric shock, do not use this fan with any solid state speed control device.
2. This appliance has a polarized plug (one blade is wider than the other). To reduce the risk of electric shock, this plug is intended to fit in a polarized outlet only one way. If plug does not fit fully in the outlet, reverse plug. If it still does not fit, contact a qualified electrician. Do not attempt to defeat this safety feature.
3. Do not leave the fan running unattended.
4. Do not mix old and new batteries. Do not mix alkaline, standard (carbon-zinc), or rechargeable (nickel-cadmium) batteries.
5. To reduce the risk of electric shock and injury to persons, DO NOT use this fan in a window.
6. Be sure to unplug or disconnect from the electrical supply before servicing.

## RULES FOR SAFE OPERATION

1. Never insert fingers, pencils, or any other object through the housing when tower fan is running.
2. Disconnect it when moving from one location to another.
3. Disconnect fan when cleaning.
4. Be sure fan is on a stable surface when operating to avoid overturning.
5. Check the power cord of the fan before using. If there's any visible damage, stop using it.

## PARTS NAME

1. Body
2. Front column
3. Front base
4. Screw
5. Rear column
6. Rear base
7. Power cord
8. Transparent cover



## PARTS ASSEMBLY

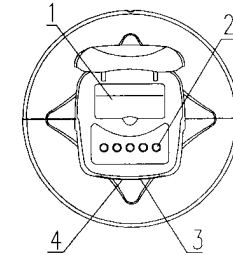
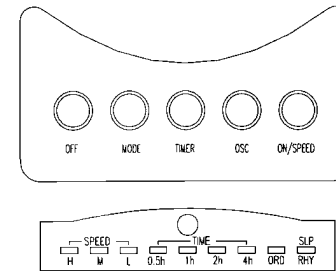
1. Pull power cord out slightly.
2. Put the power cord (7) through the groove of the front column (2) and the rear column (5), Make the two pieces of base snap together.
3. Fix the columns to the bottom of body (1) with four screws (4) as shown in the Parts Name drawing. The screws are packed in plastic bag
4. stuck to the bottom of the base. The protrusion at the edge of the column should match the notch on the bottom of the body.

5. Pass power cord through the hole of the rear base (6), Insert the rear base into the front base (3), then turn four screws tight.
6. Fix transparent cover onto the top of the unit by one side, and then repeat with the other side.

## OPERATING INSTRUCTIONS

### a. Control parts description:

1. Remote Control Box
2. Control Key
3. LED
4. Receptor



### b. The Plate with Control:

#### 1. OFF KEY:

Press this key to switch the fan off.

#### 2. MODE KEY:

This key is a selector key for wind type, The wind type changes in the sequence from NORMAL to NATURAL to SLEEP when this key being touched repeatedly or depressed. The 2 LED lights at the right side display the current setting. "ORD" is Normal wind type, "RHY" is Natural wind type, and "SLP" is Sleep wind type. NORMAL will keep the speed you've selected constant. NATURAL will cycle through a variety of speeds from LOW to HIGH simulating a natural outdoor breeze. The SLEEP will begin at the speed you've selected and slow down every half an hour until it reaches the end of "time" you've selected. It will then remain constant at LOW speed.

The SLP/RHY LED gives out red light when setting is Natural wind type, and green light when setting is Sleep wind type.

#### 3. TIMER KEY

This key may be touched repeatedly or depressed. This allows the timer to be set in half-hour increments up to 7.5 hours.

Do not press the timer key when the fan is required to operate continuously. In that case all Time LEDs don't light.

# Tower Fan

# Owner's Manual

Model: FS10-S4R

**4. OSC KEY:**

This key serves to start or stop the fan oscillation.

**5. ON/SPEED KEY:**

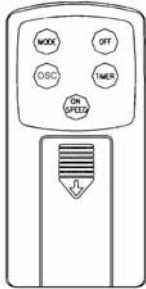
This key is for switching on the fan. Operation begins at medium speed. After 2 seconds it will automatically change to low speed. After the fan has started, this key serves as a speed selector in the sequence from LOW to MEDIUM to HIGH.

**c. How to Adjust the Wind:**

Swing the fan body slightly to the desired left or right direction.

**d. Remote Control Operation:**

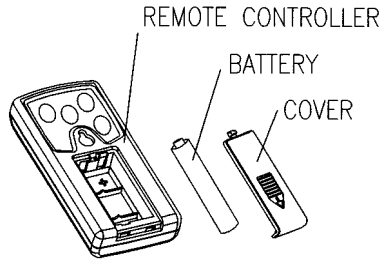
The keys on the remote control serve the same functions as their corresponding buttons on the control panel.



**INSERT BATTERIES**

1. Press down on the battery compartment cover and slide it out.
2. Insert the batteries, making sure that the positive terminals are facing the proper direction marked inside the battery compartment.
3. Close the cover by sliding it in.

Notes: Use size "AAA" alkaline or standard (carbon-zinc) batteries. Do not mix old and new batteries. Do not mix alkaline, standard (carbon-zinc), or rechargeable (nickel cadmium) batteries.



**CLEANING**

1. Be sure to unplug from the electrical supply source before cleaning.
2. Plastic parts should be cleaned with mild soap and damp cloth or sponge. Thoroughly remove soap film with clean water.
3. To disassemble each part, reverse the order of assembly.
4. Be sure not to make water or other liquid enter the inside of motor.

**CUSTOMER SERVICE**

**Midea USA, Inc.**  
2617 North Great Southwest Parkway  
Grand Prairie, TX 75050  
Toll Free Phone: 866-876-4332

READ AND SAVE THESE  
INSTRUCTIONS

PRINTED IN CHINA