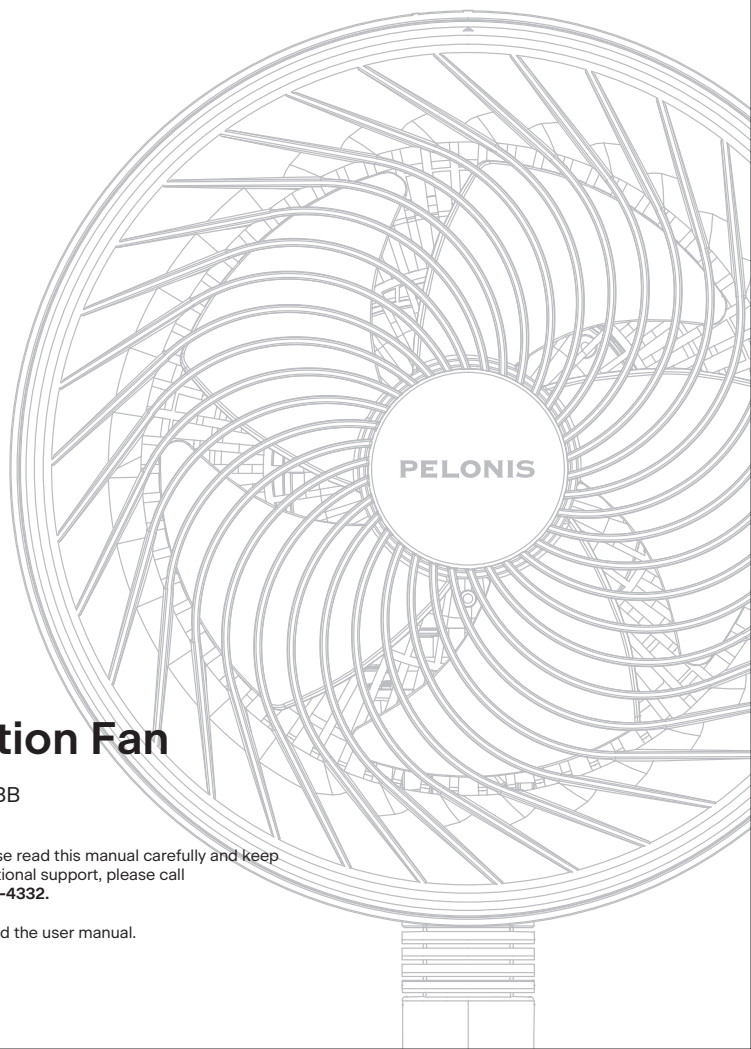




User Manual



Air Circulation Fan

MODEL: PSFAS07M2ABB

▲ WARNING NOTICE:

Before using this product, please read this manual carefully and keep it for future reference. For additional support, please call customer service at **1-866-646-4332**.

Before use, please carefully read the user manual.



Thanks for Choosing **PELONIS!**

Your support means the world to us.
We hope you enjoy our product as
much as we did creating it.

Contents

Important Safeguards	01
Product Overview	03
Installation	04
Operation Instructions	08
Troubleshooting	09
Cleaning And Maintenance	10
Specifications	11
Service And Support	12

Important Safeguards

READ AND SAVE THESE INSTRUCTIONS

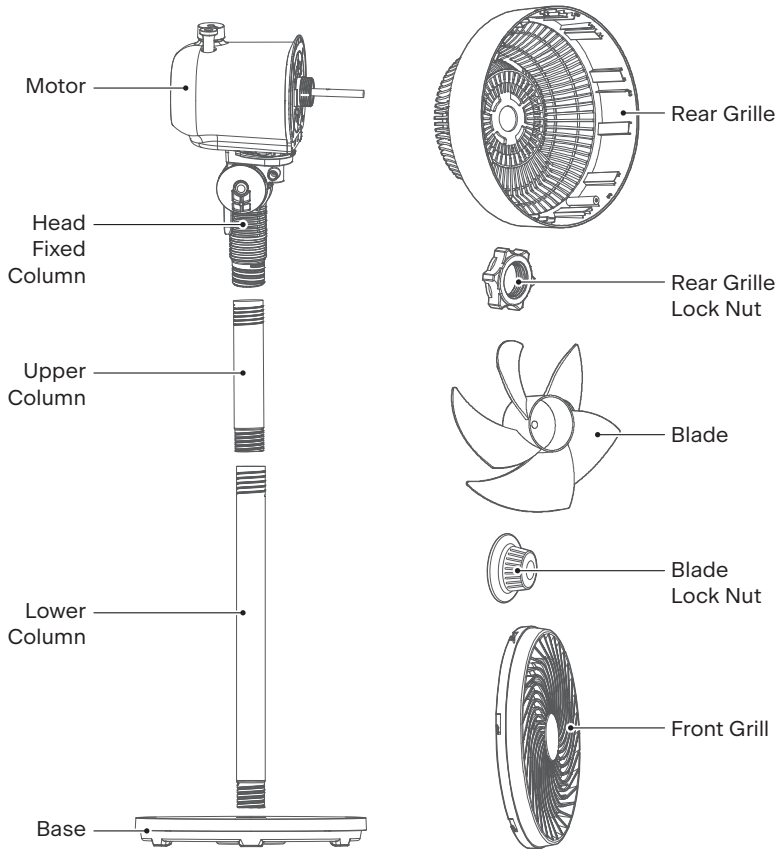
CAUTION

1. Read Rules for Safe Operation and Instructions carefully.
2. This appliance is not intended for use by persons (including children) with reduced physical, sensory or mental capabilities, or lack of experience and knowledge, unless they have been given supervision or instruction concerning use of the appliance by a person responsible for their safety.
3. Children should be supervised to ensure that they do not play with the appliance.
4. Keep electrical appliances out of reach from children or infirm persons. Do not let them use the appliances without supervision.
5. Never insert fingers, pencils, or any other object through the grille when the fan is running.
6. Disconnect the fan when moving it from one location to another.
7. Be sure the fan is on a stable surface when operating to avoid overturning.
8. Do not use the fan by a window as rain may create an electrical hazard.
9. The rotor blade grille shall not be removed at any time. To clean the fan the following procedure shall be followed:
 - Unplug the fan prior to cleaning.
 - DO NOT remove the rotor blade grille.
 - Wipe the fan enclosure and rotor blade grille with a slightly damp cloth.
10. Indoor and household use only.

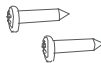
WARNING

1. If the supply cord is damaged, it must be replaced by the manufacturer, its service agent or a similarly qualified person in order to avoid a hazard.
2. To protect against the risk of electrical shock, do not immerse the unit, cord or plug in water or other liquid.
3. When the appliance is not in use and before cleaning, unplug the appliance from the outlet.
4. This appliance has a polarized plug (one blade is wider than the other). To reduce the risk of electric shock, this plug is intended to fit in a polarized outlet only one way. If the plug does not fit fully in the outlet, reverse the plug. If it still does not fit, contact a qualified electrician. Do not attempt to defeat this safety feature.
5. **WARNING:** To reduce the risk of fire or electric shock, do not use this fan with any solid-state speed control device.
6. To Reduce The Risk Of Fire, Electric Shock Or Injury To Persons, Do Not Use Replacement Parts That Have Not Been Recommended By The Manufacturer (e.g., Parts Made At Home Using A 3D Printer).
7. This product employs overload protection (fuse). A blown fuse indicates an overload or short-circuit situation. If the fuse blows, unplug the product from the outlet. Replace the fuse as per the user servicing instructions (follow product marking for proper fuse rating) and check the product. If the replacement fuse blows, a short-circuit may be present and the product should be discarded or returned to an authorized service facility for examination and/or repair.
 - a) "Do not operate any fan with a damaged cord or plug. Discard fan or return to an authorized service facility for examination and/or repair."
 - b) "Do not run cord under carpeting. Do not cover cord with throw rugs, runners, or similar coverings. Do not route cord under furniture or appliances. Arrange cord away from traffic area and where it will not be tripped over."
8. Do not leave the fan running unattended.
9. If the **SUPPLY CORD** is damaged, it must be replaced by the manufacturer, its service agent or similarly qualified persons in order to avoid a hazard.
10. The fan shall not be modified by users, such as by adding supplemental filters to fans not intended to be used for air cleaning purposes.

Product Overview



Accessories



Grille Screw x2

[Note]

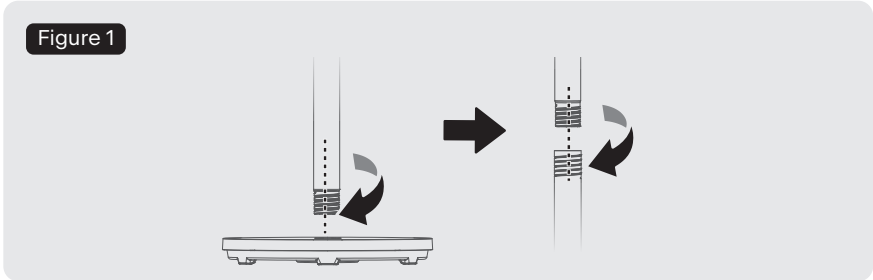
All the pictures in this manual are for explanation purpose only. Any discrepancy between the real object and the illustration in the drawing shall be subject to the real subject. Remove parts from the component before performing installation.

Installation

Installation Procedures

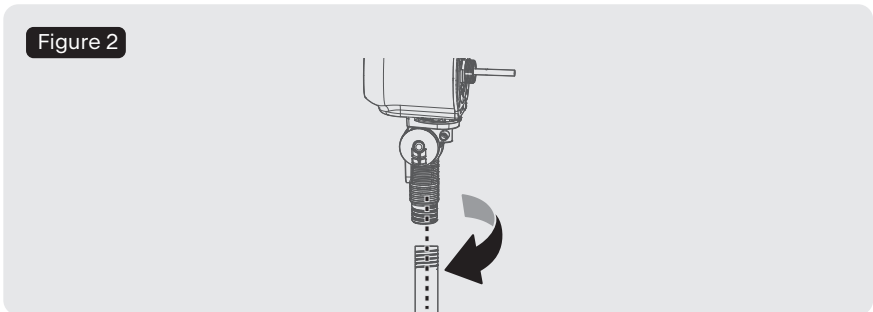
1. Base and Stand Connection

Align the interface of the lower column and the base, and rotate clockwise to tighten and fix it. Then align the interface of the upper column and the lower column, and rotate clockwise to tighten and fix it.



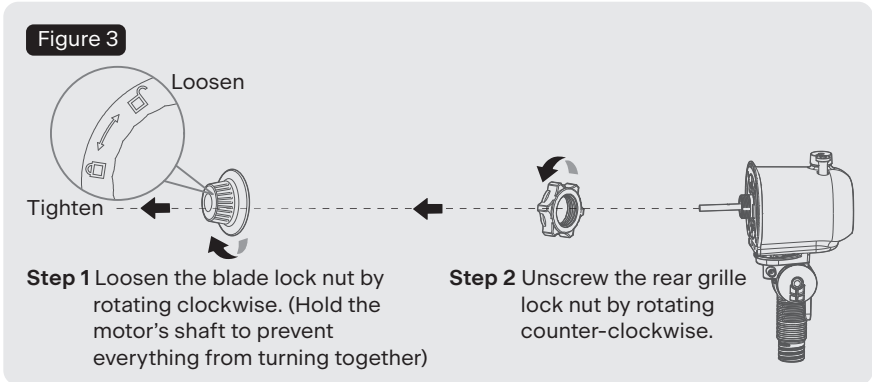
2. Base and Stand Connection

Insert the connector under the motor house into the stand interface, and then rotate clockwise to tighten it.



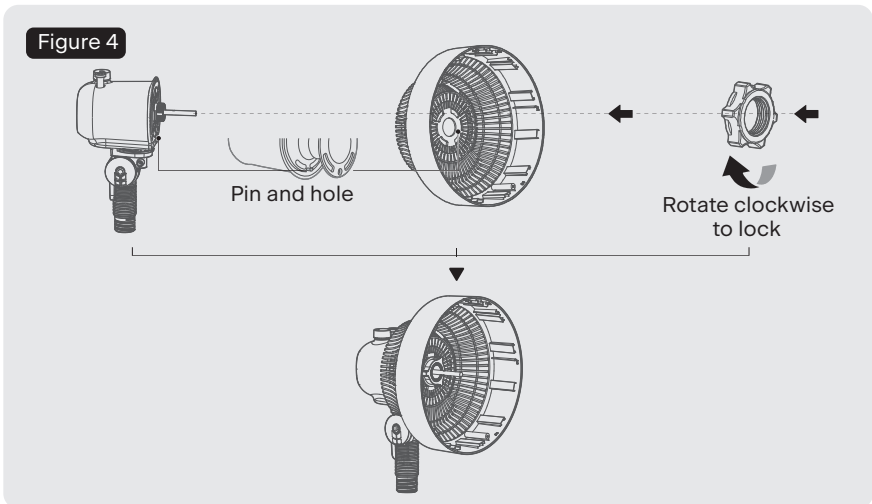
3. Rear Grille and Motor Connection

3.1 First, remove the blade lock nut and rear grille lock nut from the motor assembly.



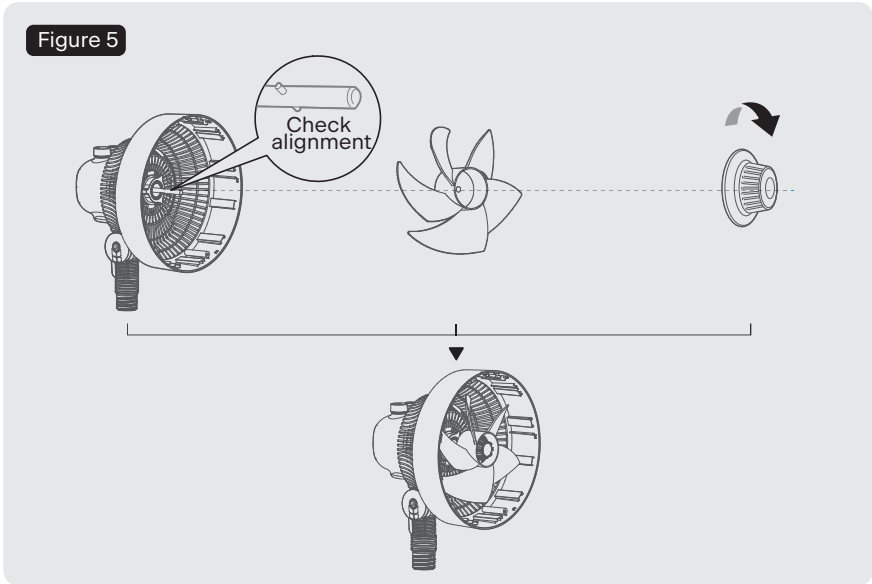
3.2 Place the rear grille against the motor housing and align the motor housing's pin and rear grille's hole.

3.3 Lock the rear grille by rotating the rear grille lock nut clockwise.

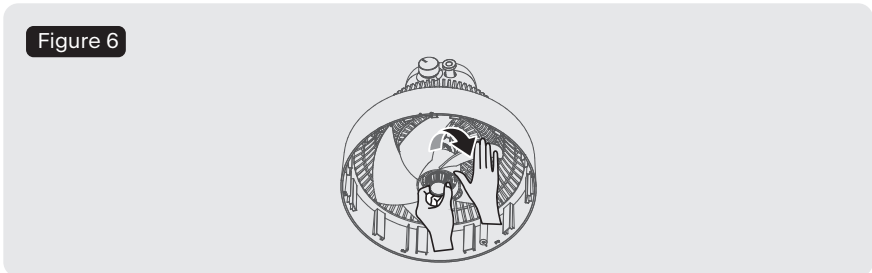


4. Blade Attachment



4.1 Place the blade through the motor's shaft while aligning the shaft's pegs with the blade's slots.



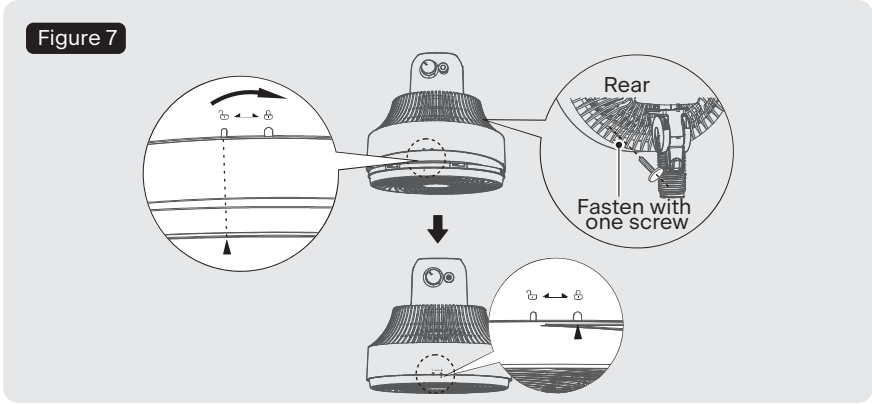
4.2 While holding the blade, screw the blade lock nut on by rotating it counterclockwise.



5. Front Grille Attachment

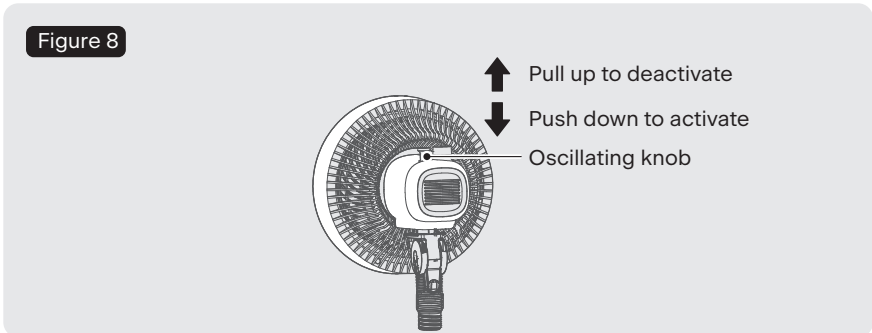
Align the front grille's arrow with the rear grille's  and snap the front grille in place with both hands. Then rotate the front grille's arrow to the rear grille's , and fasten the screw.

Note: Two screws come in the package but only one is needed.



6. Front Grille Attachment

To make the fan oscillate, push down on the oscillating knob located on the top of the motor housing. To stop the fan from oscillating, pull up the oscillating knob.



Operation Instructions

Instructions for Operation of Body



Knob	Function Description
0	<ul style="list-style-type: none">• Stop the product.
1	<ul style="list-style-type: none">• Low speed.
2	<ul style="list-style-type: none">• Medium speed.
3	<ul style="list-style-type: none">• High speed.

Troubleshooting

Operation of your appliance can lead to errors and malfunctions. The following tables contain possible causes and notes for resolving an error message or malfunction. It is recommended to read the table below carefully in order to save your time and money that may cost for calling to the service center.

Problem	Cause	Solution
The machine does not work properly after installed	<ul style="list-style-type: none">• The power cable is not plugged in or has poor contact.	Make sure the plug is properly inserted into the socket.
	<ul style="list-style-type: none">• The switch on the body is not turned on.	Turn on the switch on the body.

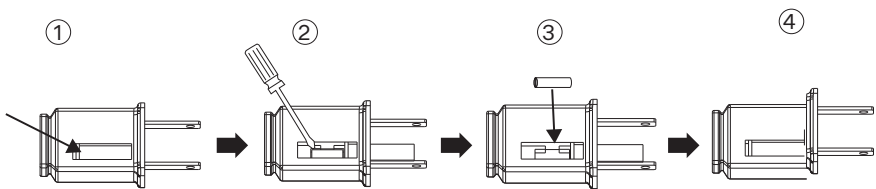
Cleaning And Maintenance

Precautions

- Be sure to unplug from the power supply before cleaning.
- Do not rinse the body directly with water.
- Never clean the product with any abrasive tools or solvents that will damage the surface; use a damp cloth to clean, and wipe promptly with a dry cloth.
- It is forbidden to disassemble the product for modification. Regular inspection and cleaning of the product is recommended in order to extend it's service life.

User Servicing Instructions

- a) Grasp plug and remove from the receptacle or other outlet device. Do not unplug by pulling on cord.
- b) Open fuse cover. Slide open fuse access cover on top of attachment plug towards blades. (Fig.①)
- c) Remove fuse carefully. Insert the tip of your tool into fuse slot (close with the terminal), then pry the fuse gradually and slowly, but do not overexert. If you feel resistance, you can try it at several times and pry the fuse little by little. When one side of the fuse has been released, then you can get the fuse out entirely. (Fig.②)
- d) Risk of fire (fix spacing). Replace fuse only with 2.5 Amp, 125 Volt fuse. (Fig.③)
- e) Close fuse cover. Slide closed the fuse access cover on top of attachment plug. (Fig.④)
- f) Risk of fire (fix spacing). Do not replace attachment plug. Contains a safety device (fuse)that should not be removed. Discard product if the attachment plug is damaged.
- g) If the fan suddenly does not work during normal operation, please check whether it is a problem with the fuse.



[Note]

- When you replace the fuse, please don't operate suddenly or overexert, or else the product will be damaged or cause accident.
- When you feel it hard to be operated, please make sure you have got the right way.
- Risk of fire. Do not replace attachment plug. Contains a safety device (fuse) that should not be removed. Discard product if the attachment plug is damaged.

Specifications

Model

PSFAS07M2ABB

Power Supply

120V~, 60Hz

Rated Power

30W

SERVICE AND SUPPORT

In the event of a warranty claim or if service is required for this product, please contact us at the following:

Toll Free: 1-866-646-4332

For questions or comments, please write to:

Midea America Corp.

300 Kimball Drive,
Parsippany NJ 07054

Email: customersupport@pelonis.com

For your records, staple your sales receipt to this manual and record the following:

DATE OF PURCHASE: _____

PLACE OF PURCHASE: _____

(STAPLE SALES RECEIPT HERE)

**NOTE: PROOF OF PURCHASE IS REQUIRED FOR ALL
WARRANTY CLAIMS**

PRINTED IN CHINA

ONE (1) YEAR LIMITED WARRANTY

- Please read all instructions before attempting to use this product.

Midea America Corp. warrants as limited herein to the original purchaser of retail that each new fan, shall be free of defects in material and workmanship for a period of one (1) year from the date of delivery. This one (1) year warranty is limited to the heating elements, motor, and electric control circuit board. The date of delivery establishes the warranty period, should service be required.

In the event of malfunctions or failure of your Pelonis fan, simply deliver or send the fan postage prepaid along with PROOF OF PURCHASE, within the warranty period of one (1) year, to Midea America Corp.. Midea America Corp. reserves the right to inspect the claimed defective part or parts to determine if the defect or malfunction complaint is covered by this warranty. Midea America Corp. shall, within sixty (60) days after receipt of the product, at its option, repair and/or replace the defective part or parts free of charge. This warranty shall only cover defects arising from normal usage. Midea America Corp. assumes no responsibility whatsoever if the fan should fail during the warranty period by reason of:

- Misuse, negligence, physical damage or accidents.
- Lack of maintenance (see instructions for proper maintenance).
- Repair by any unauthorized party during the warranty period.
- Damage caused by connection to an improper input voltage (see specification label on your fan).

Midea America Corp. makes no further warranties or representations, express or implied except those contained herein. No representative or dealer is authorized to assume any other liability regarding the fan. The duration of the implied warranty granted under State law, including warranties of merchantability and fitness for particular purpose are limited in duration should the duration of the express warranty grant it hereunder. Midea America Corp. shall in no event be liable for direct, indirect, special or consequential damages.

Some states do not allow limitations on how long an implied warranty lasts, and/or the above limitations or exclusion may not apply to you. This warranty gives you specific legal rights and you may have other rights which vary from state to state.

