

PELONIS

EN

360° Surround
Fan Heater

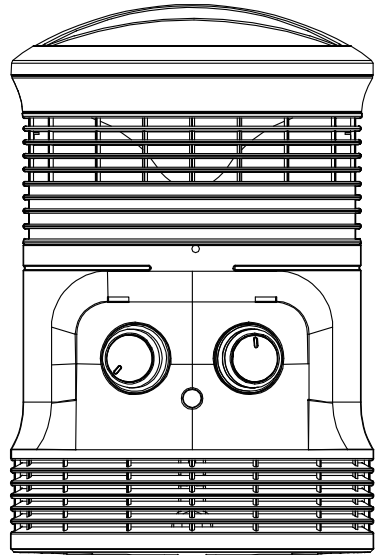
PSH17PF2HDB

Voltage: 120V~
Power: 1500W
Frequency: 60Hz

Warning Notice: Before using this product, please read this manual carefully and keep it for future reference. For additional support, please call customer service at 1-866-646-4332.

The design and specifications are subject to change without prior notice for product improvement. Consult with your dealer or the manufacturer for details.

OWNER'S MANUAL



PSH17PF2HDB

pelonis.com

THANK YOU LETTER

Thank you for choosing Pelonis! Before using your new Pelonis product, please read this manual thoroughly in order to operate your new appliance properly and safely.

CONTENTS

THANK YOU LETTER	01
SAFETY INSTRUCTIONS	02
SPECIFICATIONS	06
PRODUCT INSTALLATION	07
PRODUCT OPERATION	08
CLEANING AND MAINTENANCE	10
USER SERVICING INSTRUCTIONS	11
TROUBLESHOOTING	12
SERVICE AND SUPPORT	13
1 YEAR LIMITED WARRANTY	14

SAFETY INSTRUCTIONS

Intended Use

The following safety guidelines are intended to prevent unforeseen risks or damage from unsafe or incorrect operation of the appliance. Please check the packaging and appliance on arrival to make sure everything is intact to ensure safe operation. If you find any damage, please contact the retailer or dealer. Please note modifications or alterations to the appliance are not allowed for your safety concern. Unintended use may cause hazards and loss of warranty claims.

Explanation of Symbols



Danger

This symbol indicates that there are dangers to the life and health of persons due to extremely flammable gas.



Warning of electrical voltage

This symbol indicates that there is a danger to life and health of persons due to voltage.



Warning

The signal word indicates a hazard with a medium level of risk which, if not avoided, may result in death or serious injury.



Caution

The signal word indicates a hazard with a low degree of risk which, if not avoided, may result in minor or moderate injury.



Attention

The signal word indicates important information (e.g. damage to property), but not danger.



Observe instructions

This symbol indicates that a service technician should only operate and maintain this appliance in accordance with the operating instructions.

Read these operating instructions carefully and attentively before using/commissioning the unit and keep them in the immediate vicinity of the installation site or unit for later use!

PLEASE READ AND SAVE THESE IMPORTANT SAFETY INSTRUCTIONS

When using electrical appliances, basic precautions should always be followed to reduce the risk of fire, electric shock, and injury to persons, and hyperthermia, including the following:

- Read all instructions before using heater.
- This heater is hot when in use. To avoid burns, do not let bare skin touch hot surface. If provided, always use handles when moving this heater. Keep combustible materials such as furniture, pillows, bedding, papers, clothes and curtains at least 3 feet (0.9m) from the front of the heater and keep them away from the sides and rear.
- Extreme caution is necessary when any heater is used by or near children or invalids and whenever the heater is left operating and unattended.
- Always unplug the heater when not in use.
- Hyperthermia can result in death. Symptoms of hyperthermia include high body temperature, headache, nausea, vomiting, tiredness, dizziness, fainting, and rapid pulse. If you begin to experience symptoms related to hyperthermia, turn off the heater and seek medical attention.
- To avoid excessive room temperatures which can cause hyperthermia: DO NOT leave product running unattended in a confined space around infants, or individuals with reduced physical, sensory, or mental capabilities.

⚠ WARNING

- Do not operate any heater with a damaged cord or plug or after the heater malfunctions, has been dropped or damaged in any manner. Discard heater or return heater to authorized service facility for examination, electrical or mechanical adjustment, or repair.
- Do not use the heater outdoors.
- This heater is not intended for use in bathroom, laundry areas and similar moist indoor locations. Never locate heater where it may fall into a bathtub or other water container.
- Do not run cord under carpeting. Do not cover cord with throw rugs, runners, or similar coverings. Do not route cord under furniture or appliances. Arrange cord away from traffic area and where it will not be tripped over.
- CAUTION: This appliance has a polarized plug (one blade is wider than the other). To reduce the risk of shock, this plug is intended to fit only one way in a polarized outlet. If the plug does not fit fully in the outlet, reverse the plug.
- If it still does not fit, contact a qualified electrician. DO NOT attempt to defeat this safety feature. To do so could result in an electric shock hazard.
- This heater draws 12.5 amps during operation. To prevent overloading a circuit, do not plug the heater into a circuit that already has other appliances working.
- CAUTION: It is normal for the plug to feel warm to the touch; however, a loose fit between the AC outlet (receptacle) and plug may cause overheating and distortion of the plug. Contact a qualified electrician to replace loose or worn outlet.

- To disconnect the heater, first turn controls to off, then remove plug from outlet. Never pull by the cord.
- Do not insert or allow foreign objects to enter any ventilation or exhaust opening as this may cause an electric shock or fire, or damage the heater.
- To prevent a possible fire, do not block air intakes or exhaust in any manner. Do not use on soft surface, like a bed, where openings may become blocked.
- A heater has hot and arcing or sparking parts inside. Do not use it in the areas where gasoline, paint, or flammable liquids are used or stored.
- Use this heater only as described in this manual. Any other use not recommended by the manufacturer may cause fire, electric shock, or injury to persons.
- CAUTION: Always plug heaters directly into a wall outlet/receptacle. Never use with an extension cord or reloadable power tap (outlet/power strip).
- The output of this heater may vary and its temperature may become intense enough to burn exposed skin. Use of this heater is not recommended for persons with reduced sensitivity to heat or an inability to react to avoid burns.
- Disposal of oil contained within should be in accordance with applicable regional, national, and local laws and regulations.

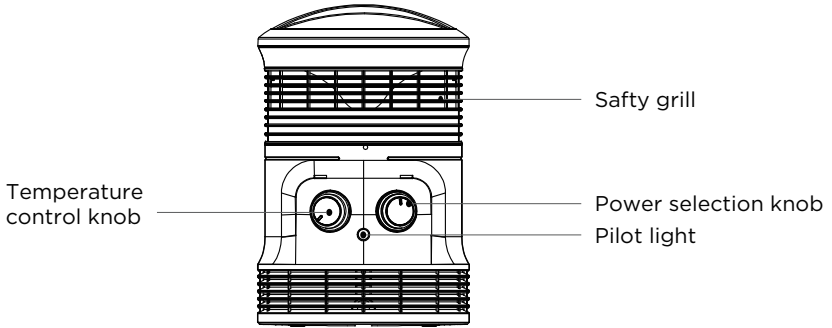
“SAVE THESE INSTRUCTIONS”

SPECIFICATIONS

Product Model	PSH17PF2HDB
Voltage	120V-
Frequency	60Hz
Power	1500W

PRODUCT INSTALLATION

Component Name



● NOTE

All the pictures in this manual are for explanation purpose only. Any discrepancy between the real object and the illustration in the drawing shall be subject to the real subject. Remove parts from the component before performing installation.

PRODUCT OPERATION

Check Before Turning On The Machine

- Check if the power wire is under good condition.
- The product requires a 120V 60Hz AC power supply, before use, please confirm if the rated current of the power socket meets the local requirements with safe grounding device, otherwise, please replace it with the qualified socket.

Put The Machine On The Flat Place

- Uneven place may possibly cause the turnover switch at abnormal position, then the heater can't work after turning on, therefore, please put the heater on the flat place, at least the surface below the base of the heater must be flat.

Temperature Control Knob

- Insert the plug into the power socket, then turn the Temperature Control knob clockwise, when hearing the “poop” sound (it means the temperature controller is on), adjust the Temperature Control knob to the desired temperature level.

Power Switch Knob

- Turn the Power selection knob to select between 3 functions: Fan only, Low 750W (LOW), High 1500W(HIGH).

Turn off the Heater

- Turn the Power Switch Knob to OFF position.
- Turn the Temperature Control knob anticlockwise to the initial position.
- Remove the power plug, store the heater after the entire machine has become cool.

Safety Protection

- Overheat protection: When the temperature in the heater is too high due to abnormality in the use environment or improper use, the thermostat device can automatically cut off the power and the heater stops working. After the whole heater is cooling, the heater can return to the normal use after removing the abnormality.
- Inversion protection: When the whole heater is inverted, the safety system will automatically cut off the power, and return to the work state before inversion after the body is placed upright.

Additional Features

This heater has additional features:

- Check if the power wire is under good condition.

CLEANING AND MAINTENANCE

It is recommended that the heater be cleaned at least one time during the operating season in order to provide the optimum level of performance.

ALWAYS TURN THE POWER SWITCH OFF AND UNPLUG THE HEATER BEFORE CLEANING. Be sure to save the box for off-season storage.

1. Turn the heater "OFF", unplug it and wait for the heater to cool down.
2. Use a dry cloth to clean only external surfaces of the heater.
3. Do not use any cleaning agents or detergents.
4. Never immerse the heater in water.
5. Pack the heater in the original carton and store it in a cool and dry place.

TROUBLESHOOTING

If the product does not operate or does not operate properly, first check according to the following list. If the reason the product does not operate or does not operate properly is not included in the following list, the product may have failed. At this time, it is recommended to send the product to the dealer or the Pelonis Service Center for treatment.

Problem	Cause	Solution
After the power is engaged, the power indicator light does not illuminate and the machine does not work.	• The plug may not be plugged well.	Check whether the plug is properly inserted into the receptacle.
	• The temperature control knob is not turned in place.	Check whether the temperature control knob is turned to the ON position.
The machine suddenly stops during heating.	• The temperature exceeds the threshold of the thermal cut-off.	Turn the heater OFF, unplug the heater and wait at least 10 minutes for it to cool.

SERVICE AND SUPPORT

In the event of a warranty claim or if service is required for this product, please contact us at the following:

Toll Free: 1-866-646-4332

For questions or comments, please write to:

Midea America Corp

759 Bloomfield Ave., # 386

West Caldwell, NJ 07006-6701

Email: customersupport@pelonis.com

For your records, staple your sales receipt to this manual and record the following:

DATE OF PURCHASE: _____

PLACE OF PURCHASE: _____

(STAPLE SALES RECEIPT HERE)

**NOTE: PROOF OF PURCHASE IS REQUIRED FOR ALL
WARRANTY CLAIMS**

PRINTED IN CHINA

1 YEAR LIMITED WARRANTY

Please read all the instructions before attempting to use this product.

Midea America Corporation warrants as limited herein to the original purchaser of retail that each new Fan, shall be free of defects in material and workmanship for a period of one (1) year from the date of original purchase. This one (1) year warranty is limited to the Motor and Electric Element.

In the event of malfunctions or failure of your Fan, simply deliver or send the Fan, postage prepaid along with PROOF OF PURCHASE, within the warranty period of one (1) year, to Midea America Corporation. Midea America Corporation reserves the right to inspect the claimed defective part or parts to determine if the defect or malfunction complaint is covered by this warranty. Midea America Corporation shall, within sixty (60) days after receipt of the product, at its option, repair and/or replace the defective part or parts free of charge. This warranty shall only cover defects arising from normal usage. Midea America Corporation assumes no responsibility whatsoever if the Fan should fail during the warranty period by reason of:

- Misuse, negligence, physical damage or accidents.
- Lack of maintenance (see instructions for proper maintenance).
- Repair by any unauthorized party during the warranty period.
- Damage caused by connection to an improper input voltage (see specification label on your Fan).

Midea America Corporation makes no further warranties or representations, express or implied except those contained herein. No representative or dealer is authorized to assume any other liability regarding the Fan. The duration of the implied warranty granted under State law, including warranties of merchantability and fitness for particular purpose are limited in duration should the duration of the express warranty grant it hereunder. Midea America Corporation shall in no event be liable for direct, indirect, special or consequential damages.

Some states do not allow limitations on how long an implied warranty lasts, and/or the above limitations or exclusion may not apply to you. This warranty gives you specific legal rights and you may have other rights which vary from state to state.

PELONIS